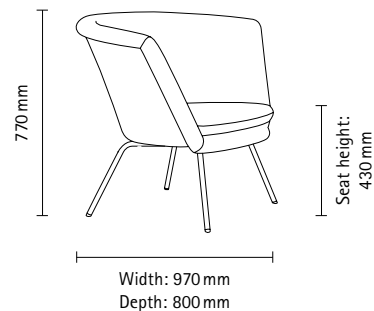


H 57

Lounge Chair

Designer: Herbert Hirche, 1957

On the occasion of Herbert Hirche's 100th birthday in 2010 we took a look around his home in Stuttgart, where, amidst the beautiful old furniture from the fifties and sixties we were thrilled to discover the predotype of an armchair for the famous exhibition 'Interbau 1957' in Berlin - the armchair H 57.



Lounge chair

Frame, tubular steel, powder coated or chrome-plated
white plastic glides

Hard foam with upholstery foam top layer

970 x 800 x 430 / 770

Frame

powder coated

● black RAL 9005

chrome-plated

● chrome

Upholstery

White upholstery

Fabric Group 1 Salt & Pepper, Facet

Fabric Group 2 Sera

Fabric Group 3 Velvet green, earth, Hallingdal 65, Clay, Zero

Fabric Group 4 kvadrat Gentle 2, Vidar 4

Leather Suede leather, Smooth leather

•

•

•

•

•

•

•

•

•

•

•

•