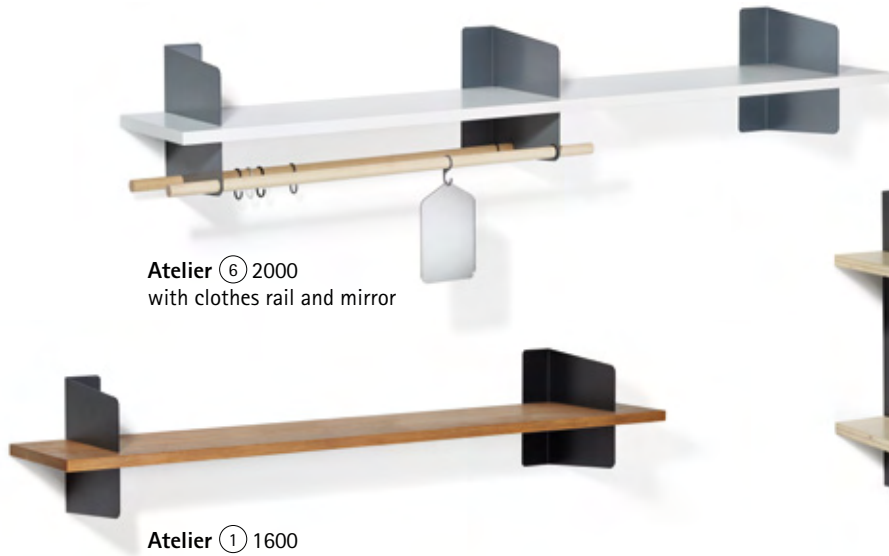
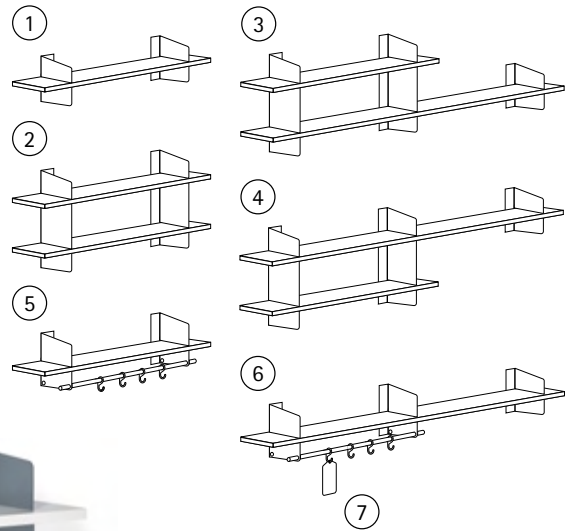


Atelier

Wall Shelf

Designer: Marco Dessì, 2012/2013

Simple idea - sophisticated furniture: folded powder-coated sheet steel shelf supports combined with wooden shelves create a variable and simple wall shelving system with a subtle designer's touch: the mounting screws are hidden by the shelf. Atelier is available with one or two shelves of different lengths and can be individually combined and expanded. Optionally available with rod and hooks for kitchen or cloakroom.



Wall Shelf / Coat Rack	Shelves Length in mm	Melamine	Spruce / fir	Solid wood
Wall mounts powder coated, fine structure matt		○ Melamine white	● Spruce/fir colourless lacquered	● natural oak ● Oak smoked
Shelf chipboard MDF melamine white, 3-layer board solid spruce/fir clear lacquered with white content or solid smoked oak or natural oak, satin lacquered Smoked oak (limited quantities in 1000/1400) Thickness 25mm	① 1000 1400 1600 2000	● ● ● ●	● ● ● ●	● ● ● ●
powder coated	② 1000 1400 1600 2000	● ● ● ●	● ● ● ●	● ● ● ●
● black RAL 9005 ○ white RAL 9010 ● basalt grey RAL 7012 ● dark bronze	③ 1 × 1000 / 1 × 1600 ④ 1 × 1000 / 1 × 2000 ⑤ Coat rack, incl. rod and 4 hooks 1000 ⑥ 1600 2000 ⑦ Mirror	● ● ● ● ● ● ●	● ● ● ● ● ● ●	● ● ● ● ● ● ●
Please Note: Spacing between wall mounts	Coat rack rod spruce/fir or oak/smoked oak hooks	(1 piece) (Set of 4)		
Shelf Spacing 1000 780 1400 1180 1600 1380 2000 1780				